

# **Commercial / Industrial**

**Technical/Product Information**

# IMPORTANT NOTICE

THIS INFORMATION IS DESIGNED TO ASSIST YOU IN PRODUCT SELECTION, DETAILING AND APPLICATION. SD IS PREPARED AND STAFFED TO PROVIDE PROFESSIONAL ASSISTANCE TO ARCHITECTS, ENGINEERS, AND CONTRACTORS. AT YOUR REQUEST, ASSISTANCE IN BUDGET DEVELOPMENT, PRODUCT SELECTION, DESIGN DATA, AND APPLICATION INFORMATION WILL BE PROVIDED.

The Engineering data contained herein is for the expressed use of customers and design professionals. Along with this data, it is recommended that the design professional have a copy of the most current version of the North American Specification for the Design of Cold-Formed Steel Structural Members published by the American Iron and Steel Institute to facilitate design. This Specification contains the design criteria for cold-formed steel components. Along with the Specification, the designer should reference the most current building code applicable to the project jobsite in order to determine environmental loads. If further information or guidance regarding cold-formed design practices is desired, please contact the manufacturer

®

Descriptions and specifications contained herein were in effect at the time this publication was approved for printing. In a continuing effort to refine and improve products, SD reserves the right to discontinue products at any time or change specifications and/or designs without incurring obligation. **To ensure you have the latest information available, please inquire or visit our website at [www.steeldepot.com](http://www.steeldepot.com).**

# TABLE OF CONTENTS

<b>A. Specifications</b>	
1. Galvalume Plus® .....	CI-1
2. Signature® 200 .....	CI-2
3. Signature® 300 and Signature® 300 Metallic .....	CI-3
<b>B. Engineering</b>	
1. PBA Panel Section Properties/Load Tables .....	CI-4 - CI-5
2. PBC Panel Section Properties/Load Tables .....	CI-6 - CI-7
3. PBD Panel Section Properties/Load Tables .....	CI-8 - CI-9
4. 7.2 Panel Section Properties/Load Tables .....	CI-10 - CI-11
<b>C. Product Information</b>	
1. Panel Fastener Locations - Panel Ends .....	CI-12
2. Panel Fastener Locations - Interior of Panel .....	CI-13
3. Punching Patterns for Cees and Zees .....	CI-14
4. Lap Patterns for Cees and Zees .....	CI-15 - CI-16
5. Punching Patterns for Eave Struts	
<b>8" x 5" x 5"</b>	
Standard .....	CI-17
Optional .....	CI-18
<b>8" x 5" x 2¼"</b>	
Standard .....	CI-19
Optional .....	CI-20

# SPECIFICATIONS

# COMMERCIAL / INDUSTRIAL

## Galvalume Plus Coated Sheet Steel Specifications

### PRODUCT NAME

Galvalume® Sheet  
Galvalume® Plus Sheet

### PRODUCT DESCRIPTION

**Coating:** "Galvalume" is the registered trade name for a patented sheet steel product having a coating of corrosion-resistant aluminum-zinc alloy applied by a continuous hot dipping process. The alloy coating of aluminum and zinc provides an optimum balance between (a) the long-term general corrosion resistance, high temperature oxidation resistance and heat reflectivity of aluminum, and (b) the galvanic protection of zinc at scratches and cut edges.

"Galvalume Plus" is the registered trade name for a bare Galvalume sheet product with a thin, clear acrylic coating. This product offers several advantages, including:

- Can be rollformed dry, with no vanishing oil applied in our coating line or at the rollforming line. In fact, Galvalume Plus should only be roll formed dry.
- Panels will be delivered to the jobsite dry, with no vanishing oil on the surface.
- Resists fingerprinting and smudging during handling and installation at the jobsite.
- Provides excellent resistance to storage stain and transit corrosion.
- Provides a bright appearance which will weather uniformly.

**Basic Use:** Galvalume sheet -- bare, acrylic-coated and prepainted -- is intended for applications where superior corrosion resistance is required, as in roofing, siding, pre-engineered buildings, appliances, air conditioner housings and other uses. Bare Galvalume sheet is also used for applications where resistance to oxidation at elevated temperatures is important, such as fireplaces, toasters and automotive exhaust systems.

**Limitations:** Based on experience to date, Bethlehem advises against contact of Galvalume sheet with lead, copper, graphite, unprotected steel, uncured concrete, or wet, green or pressure-treated wood; exposure of Galvalume sheet to water run-down from copper and the use of Galvalume sheet in harsh chemical or intensive animal confinement environs.

### TECHNICAL DATA

**Coating:** The composition of the Galvalume sheet coating is typically 55% aluminum, 1.6% silicon and the balance zinc, nominal percentages by weight. The product is described in ASTM Specification A 792 and is available in three coating weights: ASTM Designation, AZ50 AZ55 AZ60

Triple Spot Average Minimum oz/sq ft 0.50 0.55 0.60  
Single Spot Minimum oz/sq ft 0.43 0.50 0.52

A nominal coating weight of 0.50 oz/sq ft (total both sides) is equivalent to 0.8 mil thickness per side.

The coating is available as regular spangle or extra smooth surface, with or without chemical treatment. An oil coating may also be specified on bare Galvalume sheet. Galvalume Plus begins with Bethlehem's standard high-quality bare Galvalume sheet and goes a step further. As a final step in the hot-dip coating process, a very thin acrylic coating is applied to both sides of the sheet using a sophisticated roll coater. This acrylic coating provides excellent resistance to storage stain and transit

corrosion. Galvalume Plus eliminates the need for conventional chemical treatment and vanishing oil.

Atmospheric Corrosion Resistance: Based on 30-year atmospheric test results, it is estimated that Galvalume sheet will outlast G90 galvanized by two to four times in marine, industrial and rural atmospheres. When compared to aluminum coated sheet steel, Galvalume sheet has superior corrosion resistance at sheared edges.

**Salt Spray Corrosion Resistance:** With cut edges protected, the coating on Galvalume sheet steel lasts five to ten times longer than the coating on G90 galvanized. In salt spray tests conducted with bare cut edges exposed, the corrosion resistance is typically three to four times that of G90 galvanized.

**High Temperature Behavior:** Bare Galvalume sheet can be used at temperatures up to 600°F without discoloration and up to 1250°F without heavy oxidation and scaling. Prolonged exposure to temperatures above 600°F can result in changes to the base metal characteristics of conventional Galvalume sheet. Galvalume H.T. Sheet (UL listed) will resist base metal change. Galvalume sheet applications subjected to these temperatures should be reviewed with a Bethlehem Sales representative.

**Formability:** Galvalume sheet can be formed about as readily as continuously annealed galvanized sheet. Lock forming and roll forming are readily accomplished.

**Weldability:** Galvalume sheet is readily weldable with conventional resistance and arc welding processes. Conditions for resistance welding are similar to those used on galvanized steel. Spot welding electrodes should be redressed as required to maintain nugget size. RWMA Class 2 or dispersion-strengthened copper alloy electrodes are suggested. Galvalume sheet can be arc welded with the shielded metal-arc and gas metal-arc processes. The lower zinc content of the coating of Galvalume sheet results in considerably less fuming during arc welding, providing reduced fume hazards to welders. For further information on welding, contact a Bethlehem Sales representative.

**Appearance:** Uniform visual appearance of unpainted Galvalume sheet cannot be guaranteed. Even with Galvalume Plus, the normally occurring variations in surface appearance typical of all hot-dip products will still be present and will not be masked by the thin, clear acrylic film. If uniform visual appearance is critical, then prepainted Galvalume sheet should be ordered.

**Paintability:** Prepainted Galvalume sheet is an ideal product for many applications where the aesthetic appearance of a painted product is desired along with excellent atmospheric corrosion resistance. Such applications include pre-engineered metal buildings, architectural panels, roofing and siding, and other building components. For more information, consult Bethlehem's Data Sheet on Prepainted Galvalume Sheet. Galvalume sheet may be fieldpainted with most paints suitable for galvanized: zinc-dust primers, butyral wash primers and acrylic latex paints. Galvalume Plus may be field painted using water-based acrylic primers and/or topcoats. Note that field painting of either Galvalume or Galvalume Plus may have warranty implications.

### Typical Mechanical Properties:

(Commercial Steel)  
Yield Strength 38 - 53 ksi  
Tensile Strength 50 - 65 ksi  
Total Elongation 20-36%  
Hardness 50-65 HRB  
(Structural steels, including 50 ksi and 80 ksi minimum yield strengths, are also available.)

### INSTALLATION

To preserve the surface appearance of Galvalume sheet, only clean, dry gloves should be used during handling. Care should also be exercised to prevent the sheets from sliding over rough surfaces or each other. Fasteners and other component parts should have equivalent corrosion resistance. Galvalume sheet steel joints can be effectively closed using appropriate sealants such as neutral-curing silicone rubber. If other types of sealants are considered, they should possess the long-term durability, adhesion and non-corrosive properties of neutral-cure silicone rubber. Soldering is not recommended.

### AVAILABILITY AND COST

**Availability:** Galvalume sheet is available from our plants at Sparrows Point, MD and Jackson, MS. It can be obtained in thicknesses from 0.014" to 0.055" and in widths up to 48". Inquire for heavier thicknesses. Galvalume Plus is available from our plant at Sparrows Point, MD. It can be obtained in thicknesses from 0.015" to 0.030" and in widths up to 48". Cost: Galvalume sheet is priced competitively with G90 galvanized on a per square foot (or per part) basis. Specific price quotations for Bethlehem Galvalume sheet will be furnished upon request.

### WARRANTY

Galvalume sheet conforms to the requirements of ASTM Specification A 792. Galvalume sheet is a component recognized by the American Gas Association and by Underwriters Laboratories, Inc. under File No. MH9372. Galvalume sheet is conditionally warranted against rupture, structural failure or perforation due to corrosion for a period of up to 25 years and six months when used for building panel applications

### MAINTENANCE

Properly installed Galvalume sheet requires no special maintenance. Galvalume sheet, like galvanized, is subject to wet storage staining and turns gray to black if moisture is trapped between coil laps, cut length sheets, or roll formed parts during shipping and storage. The mill treats Galvalume sheet to retard wet storage staining (unless otherwise requested); however, the user should take precautions to keep Galvalume sheet dry in transit, in storage and at work sites.

# COMMERCIAL/INDUSTRIAL

# SPECIFICATIONS

## Signature® 200 SPECIFICATIONS

### SPECIFICATIONS

#### Product Name

Signature® 200, a premium coating with proven, proprietary polymer and premium pigments.

#### Product Description

**Uses:** Signature® 200 is a factory-applied and oven-baked protective coating used on GALVALUME®, galvanized steel or aluminum substrate. Signature® 200 combines excellent physical characteristics and aesthetic values for metal panels and components. Its use in architectural, industrial, commercial, residential and institutional metal construction are numerous. Signature® 200 coatings are formulated for hardness and flexibility, making it a versatile and durable coating system when applied over a proprietary, corrosion-resistant primer.

**Limitations:** Since Signature® 200 coatings require baking to cure, they cannot be field applied. Signature® 200 coatings are not approved for use on hot or cold rolled bare steel substrates intended for exterior exposure.

**Composition and Materials:** Signature® 200 is a thermoset coating consisting of a proprietary polyester resin modified by silicone resin intermediate. Signature® 200 uses premium,

proven-durability ceramic pigments which give superior exterior protection and resistance to chemical corrosion and ultraviolet radiation.

**Color:** Signature® 200 coatings are available in a wide range of standard, field-proven colors. Special colors are available (minimum quantity requirements may apply) if approved by manufacturer. Polar White may not meet these specifications – please inquire.

#### Installation

The Signature® 200 system is factory applied over metal substrates using the coil coating process. Surfaces shall be chemically cleaned and pretreated according to manufacturers' specifications to remove contaminants and provide acceptable corrosion resistance. Total dry film thickness of topcoat (Signature® 200 protective coating and primer) is within the 0.9 - 1.05 mil range for coil coated applications. The pretreated substrate is primed with 0.2 - 0.25 mil of a high performance primer. The Signature® 200 protective coating is applied over the primed substrate at 0.7 - 0.8 mil. The

Signature® 200 systems incorporate outstanding exterior durability, while affording superior coil line application and post-forming capabilities.

#### Warranty

The Signature® 200 warranty is backed by the strictest production specifications and is one of the strongest in the industry. Details and further information are available by contacting the manufacturer.

#### Maintenance

The factory applied finish of Signature® 200 is baked-on coating designed to give trouble-free performance for years with little service required. However, mild detergents and/or mineral spirits are recommended for removal of surface dust and airborne chemical deposits. Air-dry touch-up paints are also available for repair of minor scratches.

#### Technical Assistance

Complete technical information and literature is available from manufacturer.

Signature® is a registered trademark of NCI Group, Inc. KYNAIR® 500 is a registered trademark of Arkoems, Inc. HYLAR® 5000 is a registered trademark of Schray Soloxis. GALVALUME® is a registered trademark of BIEC International Inc.

### PHYSICAL PROPERTIES

PROPERTY	VALUE	TEST DESIGNATION
Gloss @ 60°	20-80	ASTM D523
Film Hardness	F-Min (Eagle Turq.)	ASTM D3363
Impact Resistance, 3x Metal Thickness	No Adhesion Loss	ASTM D2794
Cross-Hatch Adhesion	No Adhesion Loss	ASTM D3359
Formability: T-Bend	(1) Acceptable	ASTM D4145
Abrasion Resistance, Falling Sand	35 ± 5 Liters	ASTM D968
<b>ACCELERATED TESTS:</b>		
Humidity, 1,000 hrs.	(2) Acceptable	ASTM D2247
Dew Cycle Weatherometer, 200 Total Hours	(4) Acceptable	ASTM D3361
Salt Spray, 1,000 hrs.	(3) Acceptable	ASTM B117
Chemical Spot Test	(5) Acceptable	ASTM D1308

- (1) 2T to 4T, No loss of adhesion.
- (2) No fold blisters.
- (3) <math>1/4</math> inch creep from scribe, few blisters, rating of 8.
- (4) Chalk rating no less than 8. Color change, no more than 5AE Hunter units.
- (5) 10% Hydrochloric acid solution: 24 hours no visible changes. 25% sodium hydroxide: 1 hour test no visible change.

Descriptions and specifications contained herein were in effect at the time this publication was approved for printing. MBCI reserves the right to discontinue products at any time or change specifications and/or designs without notice and without incurring obligation.

# SPECIFICATIONS

# COMMERCIAL/INDUSTRIAL

## Signature® 300 and Signature® 300 Metallic SPECIFICATIONS

### SPECIFICATIONS:

#### Product Name

Signature® 300 and Signature® 300 Metallic, a premium fluoropolymer low gloss coating, produced with KYMAR® 500 or HYLAR® 5000 resin.

#### Product Description

**Basic Uses:** Signature® 300 coatings are specified by leading architects and used by manufacturers of metal curtain wall and other building products as a long-life exterior finish for aluminum, galvanized steel and Galvalume®. The liquid coating is factory applied and oven baked on properly prepared and primed substrates. Signature® 300 coatings typically are used as exterior finishes for metal roofing, siding, louvers, fascia, curtain wall, spandrel paneling and column covers. The building components can be post-formed from pre-coated coil stock.

**Limitations:** Since Signature® 300 coatings require baking to cure, they cannot be field applied. Signature® 300 coatings are not approved for use on hot or cold rolled bare steel substrates intended for exterior exposure.

**Composition and Materials:** Signature® 300 coatings are based on 70% KYMAR® 500 or HYLAR® 5000 PVDF fluoropolymer resin. They also are formulated with highly

durable pigments and solvents blended for optimum application properties.

**Color:** Signature® 300 coatings are available in a wide range of standard, field-proven colors. Special colors are available (minimum quantity requirements may apply) if approved by manufacturer.

#### Technical Data

See Chart Below.

#### Installation

Signature® 300 coatings may be coil coated on HDG steel, Aluminum or Galvalume® substrates that have been pretreated and primed according to manufacturer specifications. The entire system is applied in the factory and oven baked. Topcoat dry film thicknesses are within the 0.9-1.1 mil range (Note: which refers to the combination of primer and the Signature® 300 protective coating) for coil coated applications. The pretreated substrate is primed with 0.2 - 0.30 mil of a high performance primer. The Signature® 300 protective coating is applied over the primed substrate at 0.7 - 0.8 mil. The flexibility of the system permits coil-coated stock to be post-formed by either a roll former or press brake. All applicators of Signature® 300 coatings must have the approval of manufacturer. A list of approved applicators is available upon request.

#### Warranty

The Signature® 300 warranty is backed by the strictest production specifications and is one of the strongest in the industry. Details and further information are available by contacting manufacturer.

#### Maintenance

Signature® 300 coatings are virtually maintenance free and non-staining. If necessary, surface residue may be removed by conventional cleaning solvents or detergents. Minor scratches may be touched-up with a specially formulated, field-applied coating of the same color.

Signature® 300 coatings can be used in conjunction with conventional sealants and caulking compounds. Mortar, plaster, etc. will neither adhere to nor stain the surface.

#### Technical Assistance

Complete technical information and literature is available from manufacturer.

Signature® is a registered trademark of INCI Group, Inc. KYMAR® 500 is a registered trademark of Akzo, Inc. HYLAR® 5000 is a registered trademark of Solvay Solenis. GALVALUME® is a registered trademark of BEC International Inc.

### TECHNICAL DATA

#### PHYSICAL PROPERTIES Signature® 300

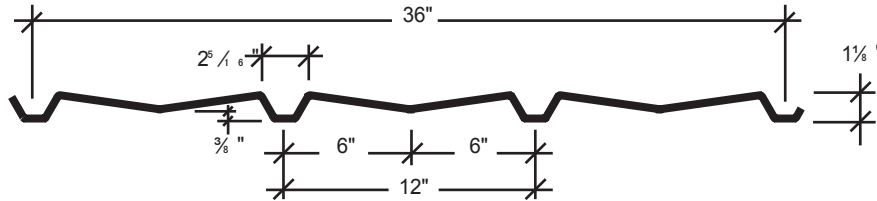
Property	Value	Test Designation
Gloss @ 85°	8-15	ASTM D623
Film Hardness	HB-Min (Eagle Turq.)	ASTM D3363 (NCCA II-12) (2)
Impact Resistance, .5" Ball Indenter, 3x Metal Thickness	(8) Acceptable	ASTM D2784
Formability: 180° bend around 1/8" mandrel	(1) Acceptable	ASTM D622
Adhesion	(2) Acceptable	ASTM D3358 (NCCA II-5)
Abrasion Resistance, Falling Sand	67 Liters	ASTM D868
Accelerated Weathering, 5,000 hrs. exposure	(3) Acceptable	ASTM D4587, G63, or G154
Humidity, 3,000 hrs.	(4) Acceptable	ASTM D2247, Apparatus A1
Salt Spray, 2,000 hrs.	(5) Acceptable	ASTM B117 (NCCA III-2)
Cyclic Salt Fog/UV exposure, 3,000 hrs.	(6) Acceptable	ASTM D5884
Chemical Spot Test	(7) Acceptable	ASTM D1308

- (1) No evidence of cracking, and no loss of adhesion to the point of metal rupture.
- (2) No removal of finish after 1/16-inch cross-hatching to bare metal, to impact limits or point of metal rupture.
- (3) No cracking, peeling, blistering, loss of adhesion or corrosion of base metal. Chalk rating of 8 per ASTM D4214. Color change less than 5ΔE per ASTM D2244.
- (4) Rating of 10, no blistering, cracking, creepage or corrosion per ASTM D1654.
- (5) No more than 5/32-inch average creepage from scribed line rating of 7, field test rating of 8 per ASTM D1654.
- (6) No more than 1/32-inch creepage from scribed line, rating of 8. No blistering, rating of 10 per ASTM D1654.
- (7) 10% Hydrochloric acid solution 24 hours no visible changes. 25% sodium hydroxide 1 hour test no color change, no blistering.
- (8) Reverse impact and direct impact, no cracking or loss of adhesion.

Descriptions and specifications contained herein were in effect at the time this publication was approved for printing. We reserve the right to discontinue products at any time or change specifications and/or designs without notice and without incurring obligation.



## PBA PANEL



SECTION PROPERTIES								
PANEL	Fy	WEIGHT	NEGATIVE BENDING			POSITIVE BENDING		
			Ixe	Sxe	Maxo	Ixe	Sxe	Maxo
GAUGE	(KSI)	(PSF)	(IN.4/FT.)	(IN.3/FT.)	(KIP-IN.)	(IN.4/FT.)	(IN.3/FT.)	(KIP-IN.)
29	60*	0.75	0.0161	0.0231	0.8287	0.0122	0.0203	0.7297
26	60*	0.94	0.0219	0.0322	1.1562	0.0168	0.0283	1.0154
24	50	1.14	0.029	0.0431	1.2915	0.0222	0.0381	1.1404
22	50	1.44	0.0387	0.057	1.7052	0.029	0.0531	1.5882

\* Fy is 80-ksi reduced to 60-ksi in accordance with the 2007 edition of the North American Specification For Design Of Cold-Formed Steel Structural Members - A2.3.2.

### NOTES:

1. All calculations for the properties of PBA panels are calculated in accordance with the 2007 edition of the North American Specification For Design Of Cold-Formed Steel Structural Members.
2. Ixe is for deflection determination.
3. Sxe is for bending.
4. Maxo is allowable bending moment.
5. All values are for one foot of panel width.

The Engineering data contained herein is for the expressed use of customers and design professionals. Along with this data, it is recommended that the design professional have a copy of the most current version of the *North American Specification for the Design of Cold-Formed Steel Structural Members* published by the American Iron and Steel Institute to facilitate design. This Specification contains the design criteria for cold-formed steel components. Along with the Specification, the designer should reference the most current building code applicable to the project jobsite in order to determine environmental loads. If further information or guidance regarding cold-formed design practices is desired, please contact the manufacturer.

## PBA PANEL ALLOWABLE UNIFORM LOADS IN POUNDS PER SQUARE FOOT

29 Gauge (Fy = 60 KSI)								
SPAN TYPE	LOAD TYPE	SPAN IN FEET						
		3.0	4.0	5.0	6.0	7.0	8.0	9.0
SINGLE	NEGATIVE WIND LOAD	61.4	34.5	22.1	15.3	11.3	8.6	6.8
	LIVE LOAD/DEFLECTION	39.5	16.7	8.5	4.9	3.1	2.1	1.5
2-SPAN	NEGATIVE WIND LOAD	54.1	30.4	19.5	13.5	9.9	7.6	6.0
	LIVE LOAD/DEFLECTION	52.6	29.9	19.3	11.9	7.5	5.0	3.5
3-SPAN	NEGATIVE WIND LOAD	67.6	38.0	24.3	16.9	12.4	9.5	7.5
	LIVE LOAD/DEFLECTION	63.9	31.4	16.1	9.3	5.9	3.9	2.8
4-SPAN	NEGATIVE WIND LOAD	63.1	35.5	22.7	15.8	11.6	8.9	7.0
	LIVE LOAD/DEFLECTION	60.9	33.4	17.1	9.9	6.2	4.2	2.9

26 Gauge (Fy = 60 KSI)								
SPAN TYPE	LOAD TYPE	SPAN IN FEET						
		3.0	4.0	5.0	6.0	7.0	8.0	9.0
SINGLE	NEGATIVE WIND LOAD	85.6	48.2	30.8	21.4	15.7	12.0	9.5
	LIVE LOAD/DEFLECTION	54.4	22.9	11.7	6.8	4.3	2.9	2.0
2-SPAN	NEGATIVE WIND LOAD	75.2	42.3	27.1	18.8	13.8	10.6	8.4
	LIVE LOAD/DEFLECTION	72.9	41.5	26.8	16.4	10.3	6.9	4.9
3-SPAN	NEGATIVE WIND LOAD	94.0	52.9	33.8	23.5	17.3	13.2	10.4
	LIVE LOAD/DEFLECTION	89.9	43.3	22.2	12.8	8.1	5.4	3.8
4-SPAN	NEGATIVE WIND LOAD	87.8	49.4	31.6	21.9	16.1	12.3	9.8
	LIVE LOAD/DEFLECTION	84.3	46.0	23.5	13.6	8.6	5.7	4.0

24 Gauge (Fy = 50 KSI)								
SPAN TYPE	LOAD TYPE	SPAN IN FEET						
		3.0	4.0	5.0	6.0	7.0	8.0	9.0
SINGLE	NEGATIVE WIND LOAD	95.7	53.8	34.4	23.9	17.6	13.5	10.6
	LIVE LOAD/DEFLECTION	71.9	30.3	15.5	9.0	5.7	3.8	2.7
2-SPAN	NEGATIVE WIND LOAD	84.5	47.5	30.4	21.1	15.5	11.9	9.4
	LIVE LOAD/DEFLECTION	81.3	46.5	30.0	20.9	13.6	9.1	6.4
3-SPAN	NEGATIVE WIND LOAD	105.6	59.4	38.0	26.4	19.4	14.8	11.7
	LIVE LOAD/DEFLECTION	100.1	57.2	29.3	17.0	10.7	7.2	5.0
4-SPAN	NEGATIVE WIND LOAD	98.6	55.5	35.5	24.6	18.1	13.9	11.0
	LIVE LOAD/DEFLECTION	93.9	53.9	31.1	18.0	11.3	7.6	5.3

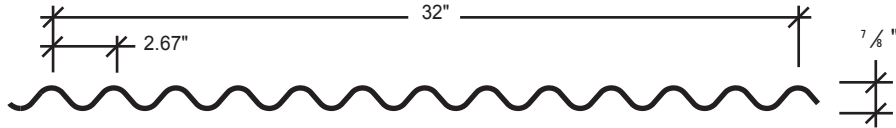
22 Gauge (Fy = 50 KSI)								
SPAN TYPE	LOAD TYPE	SPAN IN FEET						
		3.0	4.0	5.0	6.0	7.0	8.0	9.0
SINGLE	NEGATIVE WIND LOAD	126.3	71.1	45.5	31.6	23.2	17.8	14.0
	LIVE LOAD/DEFLECTION	93.9	39.6	20.3	11.7	7.4	5.0	3.5
2-SPAN	NEGATIVE WIND LOAD	117.6	66.2	42.4	29.4	21.6	16.5	13.1
	LIVE LOAD/DEFLECTION	112.5	64.5	41.7	28.3	17.8	11.9	8.4
3-SPAN	NEGATIVE WIND LOAD	147.1	82.7	52.9	36.8	27.0	20.7	16.3
	LIVE LOAD/DEFLECTION	138.1	74.7	38.3	22.1	13.9	9.3	6.6
4-SPAN	NEGATIVE WIND LOAD	137.3	77.2	49.4	34.3	25.2	19.3	15.3
	LIVE LOAD/DEFLECTION	129.8	74.8	40.6	23.5	14.8	9.9	7.0

**NOTES:**

- 1) Allowable loads are based on uniform span lengths and Fy = 50 and 60-ksi.
- 2) LIVE LOAD is limited by bending, shear, combined shear & bending and web crippling.
- 3) **NEGATIVE WIND LOAD does not contain a 33.333% increase and does not consider fastener pullout or pullover.**
- 4) Above loads consider a maximum deflection ratio of L/180.
- 5) The weight of the panel has not been deducted from the allowable loads.
- 6) The use of any accessories other than those provided by the manufacturer may damage panels, void all warranties and will void all engineering data.
- 7) This material is subject to change without notice. Please contact SD for most current data.



## PBC PANEL



SECTION PROPERTIES								
PANEL GAUGE	Fy (KSI)	WEIGHT (PSF)	NEGATIVE BENDING			POSITIVE BENDING		
			lxe (IN.4/FT.)	Sxe (IN.3/FT.)	Maxo (KIP-IN.)	lxe (IN.4/FT.)	Sxe (IN.3/FT.)	Maxo (KIP-IN.)
29	60*	0.84	0.0183	0.0423	1.52	0.0183	0.0423	1.52
26	60*	1.06	0.0235	0.0543	1.9518	0.0235	0.0543	1.9518
24	50	1.28	0.0283	0.0659	1.976	0.0283	0.0659	1.976
22	50	1.62	0.0345	0.0828	2.4804	0.0345	0.0828	2.4804

\* Fy is 80-ksi reduced to 60-ksi in accordance with the 2007 edition of the North American Specification For Design Of Cold-Formed Steel Structural Members - A2.3.2.

### NOTES:

1. All calculations for the properties of PBC panels are calculated in accordance with the 2007 edition of the North American Specification For Design Of Cold-Formed Steel Structural Members.
2. lxe is for deflection determination.
3. Sxe is for bending.
4. Maxo is allowable bending moment.
5. All values are for one foot of panel width.

The Engineering data contained herein is for the expressed use of customers and design professionals. Along with this data, it is recommended that the design professional have a copy of the most current version of the *North American Specification for the Design of Cold-Formed Steel Structural Members* published by the American Iron and Steel Institute to facilitate design. This Specification contains the design criteria for cold-formed steel components. Along with the Specification, the designer should reference the most current building code applicable to the project jobsite in order to determine environmental loads. If further information or guidance regarding cold-formed design practices is desired, please contact the manufacturer.

## PBC Panel

### ALLOWABLE UNIFORM LOADS IN POUNDS PER SQUARE FOOT

29 Gauge (Fy = 60 KSI)								
SPAN TYPE	LOAD TYPE	SPAN IN FEET						
		3.0	4.0	5.0	6.0	7.0	8.0	9.0
SINGLE	NEGATIVE WIND LOAD	112.5	63.3	40.5	28.1	20.7	15.8	12.5
	LIVE LOAD/DEFLECTION	59.2	25.0	12.8	7.4	4.7	3.1	2.2
2-SPAN	NEGATIVE WIND LOAD	112.6	63.3	40.5	28.1	20.7	15.8	12.5
	LIVE LOAD/DEFLECTION	97.5	58.1	30.8	17.8	11.2	7.5	5.3
3-SPAN	NEGATIVE WIND LOAD	140.7	79.2	50.7	35.2	25.9	19.8	15.6
	LIVE LOAD/DEFLECTION	111.8	47.2	24.1	14.0	8.8	5.9	4.1
4-SPAN	NEGATIVE WIND LOAD	131.4	73.9	47.3	32.9	24.1	18.5	14.6
	LIVE LOAD/DEFLECTION	108.2	50.1	25.6	14.8	9.3	6.3	4.4

26 Gauge (Fy = 60 KSI)								
SPAN TYPE	LOAD TYPE	SPAN IN FEET						
		3.0	4.0	5.0	6.0	7.0	8.0	9.0
SINGLE	NEGATIVE WIND LOAD	144.4	81.2	52.0	36.1	26.5	20.3	16.0
	LIVE LOAD/DEFLECTION	76.1	32.1	16.4	9.5	6.0	4.0	2.8
2-SPAN	NEGATIVE WIND LOAD	144.6	81.3	52.0	36.1	26.6	20.3	16.1
	LIVE LOAD/DEFLECTION	125.7	74.8	39.6	22.9	14.4	9.7	6.8
3-SPAN	NEGATIVE WIND LOAD	180.7	101.7	65.1	45.2	33.2	25.4	20.1
	LIVE LOAD/DEFLECTION	143.6	60.6	31.0	17.9	11.3	7.6	5.3
4-SPAN	NEGATIVE WIND LOAD	168.7	94.9	60.7	42.2	31.0	23.7	18.7
	LIVE LOAD/DEFLECTION	141.8	64.3	32.9	19.0	12.0	8.0	5.6

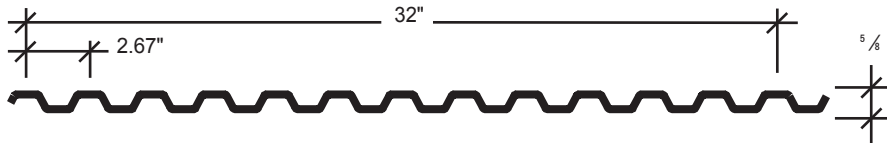
24 Gauge (Fy = 50 KSI)								
SPAN TYPE	LOAD TYPE	SPAN IN FEET						
		3.0	4.0	5.0	6.0	7.0	8.0	9.0
SINGLE	NEGATIVE WIND LOAD	146.3	82.3	52.7	36.6	26.9	20.6	16.3
	LIVE LOAD/DEFLECTION	91.6	38.7	19.8	11.5	7.2	4.8	3.4
2-SPAN	NEGATIVE WIND LOAD	146.4	82.3	52.7	36.6	26.9	20.6	16.3
	LIVE LOAD/DEFLECTION	127.7	75.9	47.7	27.6	17.4	11.6	8.2
3-SPAN	NEGATIVE WIND LOAD	183.0	102.9	65.9	45.7	33.6	25.7	20.3
	LIVE LOAD/DEFLECTION	151.8	72.9	37.3	21.6	13.6	9.1	6.4
4-SPAN	NEGATIVE WIND LOAD	170.8	96.1	61.5	42.7	31.4	24.0	19.0
	LIVE LOAD/DEFLECTION	144.2	77.4	39.6	22.9	14.4	9.7	6.8

22 Gauge (Fy = 50 KSI)								
SPAN TYPE	LOAD TYPE	SPAN IN FEET						
		3.0	4.0	5.0	6.0	7.0	8.0	9.0
SINGLE	NEGATIVE WIND LOAD	183.6	103.3	66.1	45.9	33.7	25.8	20.4
	LIVE LOAD/DEFLECTION	111.7	47.1	24.1	14.0	8.8	5.9	4.1
2-SPAN	NEGATIVE WIND LOAD	183.8	103.4	66.2	45.9	33.8	25.8	20.4
	LIVE LOAD/DEFLECTION	161.1	95.6	58.1	33.6	21.2	14.2	10.0
3-SPAN	NEGATIVE WIND LOAD	229.7	129.2	82.7	57.4	42.2	32.3	25.5
	LIVE LOAD/DEFLECTION	191.8	88.9	45.5	26.3	16.6	11.1	7.8
4-SPAN	NEGATIVE WIND LOAD	214.5	120.6	77.2	53.6	39.4	30.2	23.8
	LIVE LOAD/DEFLECTION	182.1	94.4	48.3	28.0	17.6	11.8	8.3

**NOTES:**

- 1) Allowable loads are based on uniform span lengths and Fy = 50 and 60-ksi.
- 2) LIVE LOAD is limited by bending, shear, combined shear & bending and web crippling.
- 3) **NEGATIVE WIND LOAD** does not contain a 33.333% increase and does not consider fastener pullout or pullover.
- 4) Above loads consider a maximum deflection ratio of L/180.
- 5) The weight of the panel has not been deducted from the allowable loads.
- 6) The use of any accessories other than those provided by the manufacturer may damage panels, void all warranties and will void all engineering data.
- 7) This material is subject to change without notice. Please contact SD for most current data.

## PBD PANEL



SECTION PROPERTIES								
PANEL	Fy	WEIGHT	NEGATIVE BENDING			POSITIVE BENDING		
			I <sub>xe</sub>	S <sub>xe</sub>	Maxo	I <sub>xe</sub>	S <sub>xe</sub>	Maxo
GAUGE	(KSI)	(PSF)	(IN.4/FT.)	(IN.3/FT.)	(KIP-IN.)	(IN.4/FT.)	(IN.3/FT.)	(KIP-IN.)
29	60*	0.84	0.0124	0.0345	1.2384	0.0124	0.0345	1.2384
26	60*	1.06	0.0172	0.0496	1.7810	0.0172	0.0496	1.7810
24	50	1.28	0.0227	0.0681	2.0382	0.0227	0.0681	2.0382
22	50	1.62	0.0310	0.0915	2.7396	0.0310	0.0915	2.7396

\* Fy is 80-ksi reduced to 60-ksi in accordance with the 2007 edition of the North American Specification For Design Of Cold-Formed Steel Structural Members - A2.3.2.

### NOTES:

1. All calculations for the properties of PBD panels are calculated in accordance with the 2007 edition of the North American Specification For Design Of Cold-Formed Steel Structural Members.
2. I<sub>xe</sub> is for deflection determination.
3. S<sub>xe</sub> is for bending.
4. Maxo is allowable bending moment.
5. All values are for one foot of panel width.

The Engineering data contained herein is for the expressed use of customers and design professionals. Along with this data, it is recommended that the design professional have a copy of the most current version of the *North American Specification for the Design of Cold-Formed Steel Structural Members* published by the American Iron and Steel Institute to facilitate design. This Specification contains the design criteria for cold-formed steel components. Along with the Specification, the designer should reference the most current building code applicable to the project jobsite in order to determine environmental loads. If further information or guidance regarding cold-formed design practices is desired, please contact the manufacturer.

## PBD PANEL

### ALLOWABLE UNIFORM LOADS IN POUNDS PER SQUARE FOOT

29 Gauge (Fy = 60 KSI)								
SPAN TYPE	LOAD TYPE	SPAN IN FEET						
		3.0	4.0	5.0	6.0	7.0	8.0	9.0
SINGLE	NEGATIVE WIND LOAD	91.7	51.6	33.0	22.9	16.8	12.9	10.2
	LIVE LOAD/DEFLECTION	40.1	16.9	8.7	5.0	3.2	2.1	1.5
2-SPAN	NEGATIVE WIND LOAD	91.7	51.6	33.0	22.9	16.8	12.9	10.2
	LIVE LOAD/DEFLECTION	79.9	40.8	20.9	12.1	7.6	5.1	3.6
3-SPAN	NEGATIVE WIND LOAD	114.7	64.5	41.3	28.7	21.1	16.1	12.7
	LIVE LOAD/DEFLECTION	75.8	32.0	16.4	9.5	6.0	4.0	2.8
4-SPAN	NEGATIVE WIND LOAD	107.1	60.2	38.5	26.8	19.7	15.1	11.9
	LIVE LOAD/DEFLECTION	80.4	33.9	17.4	10.1	6.3	4.2	3.0

26 Gauge (Fy = 60 KSI)								
SPAN TYPE	LOAD TYPE	SPAN IN FEET						
		3.0	4.0	5.0	6.0	7.0	8.0	9.0
SINGLE	NEGATIVE WIND LOAD	131.9	74.2	47.5	33.0	24.2	18.6	14.7
	LIVE LOAD/DEFLECTION	55.7	23.5	12.0	7.0	4.4	2.9	2.1
2-SPAN	NEGATIVE WIND LOAD	131.9	74.2	47.5	33.0	24.2	18.6	14.7
	LIVE LOAD/DEFLECTION	112.0	56.6	29.0	16.8	10.6	7.1	5.0
3-SPAN	NEGATIVE WIND LOAD	164.9	92.8	59.4	41.2	30.3	23.2	18.3
	LIVE LOAD/DEFLECTION	105.1	44.3	22.7	13.1	8.3	5.5	3.9
4-SPAN	NEGATIVE WIND LOAD	154.0	86.6	55.4	38.5	28.3	21.7	17.1
	LIVE LOAD/DEFLECTION	111.5	47.1	24.1	13.9	8.8	5.9	4.1

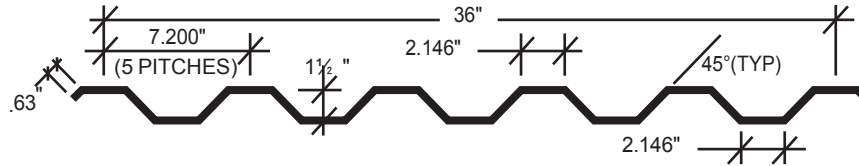
24 Gauge (Fy = 50 KSI)								
SPAN TYPE	LOAD TYPE	SPAN IN FEET						
		3.0	4.0	5.0	6.0	7.0	8.0	9.0
SINGLE	NEGATIVE WIND LOAD	151.0	84.9	54.4	37.7	27.7	21.2	16.8
	LIVE LOAD/DEFLECTION	73.5	31.0	15.9	9.2	5.8	3.9	2.7
2-SPAN	NEGATIVE WIND LOAD	151.0	84.9	54.4	37.7	27.7	21.2	16.8
	LIVE LOAD/DEFLECTION	124.0	74.7	38.2	22.1	13.9	9.3	6.6
3-SPAN	NEGATIVE WIND LOAD	188.7	106.2	67.9	47.2	34.7	26.5	21.0
	LIVE LOAD/DEFLECTION	138.7	58.5	30.0	17.3	10.9	7.3	5.1
4-SPAN	NEGATIVE WIND LOAD	176.2	99.1	63.4	44.1	32.4	24.8	19.6
	LIVE LOAD/DEFLECTION	138.5	62.1	31.8	18.4	11.6	7.8	5.5

22 Gauge (Fy = 50 KSI)								
SPAN TYPE	LOAD TYPE	SPAN IN FEET						
		3.0	4.0	5.0	6.0	7.0	8.0	9.0
SINGLE	NEGATIVE WIND LOAD	202.9	114.2	73.1	50.7	37.3	28.5	22.5
	LIVE LOAD/DEFLECTION	100.4	42.3	21.7	12.5	7.9	5.3	3.7
2-SPAN	NEGATIVE WIND LOAD	202.9	114.2	73.1	50.7	37.3	28.5	22.5
	LIVE LOAD/DEFLECTION	164.1	100.2	52.2	30.2	19.0	12.7	9.0
3-SPAN	NEGATIVE WIND LOAD	253.7	142.7	91.3	63.4	46.6	35.7	28.2
	LIVE LOAD/DEFLECTION	189.4	79.9	40.9	23.7	14.9	10.0	7.0
4-SPAN	NEGATIVE WIND LOAD	236.9	133.2	85.3	59.2	43.5	33.3	26.3
	LIVE LOAD/DEFLECTION	182.7	84.8	43.4	25.1	15.8	10.6	7.4

**NOTES:**

- 1) Allowable loads are based on uniform span lengths and Fy = 50 and 60-ksi.
- 2) LIVE LOAD is limited by bending, shear, combined shear & bending and web crippling.
- 3) **NEGATIVE WIND LOAD does not contain a 33.333% increase and does not consider fastener pullout or pullover.**
- 4) Above loads consider a maximum deflection ratio of L/180.
- 5) The weight of the panel has not been deducted from the allowable loads.

## 7.2 PANEL



SECTION PROPERTIES								
			NEGATIVE BENDING			POSITIVE BENDING		
PANEL	F <sub>y</sub>	WEIGHT	I <sub>xe</sub>	S <sub>xe</sub>	Maxo	I <sub>xe</sub>	S <sub>xe</sub>	Maxo
GAUGE	(KSI)	(PSF)	(IN.4/FT.)	(IN.3/FT.)	(KIP-IN.)	(IN.4/FT.)	(IN.3/FT.)	(KIP-IN.)
29	60*	0.66	0.0426	0.0419	1.5073	0.0426	0.0419	1.5073
26	60*	0.86	0.0645	0.0682	2.4505	0.0645	0.0682	2.4505
24	50	1.06	0.0918	0.1039	3.1125	0.0918	0.1039	3.1125
22	50	1.36	0.1252	0.1462	4.3718	0.1252	0.1462	4.3718

\* F<sub>y</sub> is 80-ksi reduced to 60-ksi in accordance with the 2007 edition of the North American Specification For Design Of Cold-Formed Steel Structural Members - A2.3.2.

### NOTES:

1. All calculations for the properties of 7.2 panels are calculated in accordance with the 2007 edition of the North American Specification For Design Of Cold-Formed Steel
2. I<sub>xe</sub> is for deflection determination.
3. S<sub>xe</sub> is for bending.
4. Maxo is allowable bending moment.
5. All values are for one foot of panel width.

The Engineering data contained herein is for the expressed use of customers and design professionals. Along with this data, it is recommended that the design professional have a copy of the most current version of the *North American Specification for the Design of Cold-Formed Steel Structural Members* published by the American Iron and Steel Institute to facilitate design. This Specification contains the design criteria for cold-formed steel components. Along with the Specification, the designer should reference the most current building code applicable to the project jobsite in order to determine environmental loads. If further information or guidance regarding cold-formed design practices is desired, please contact the manufacturer.

## 7.2 PANEL

### ALLOWABLE UNIFORM LOADS IN POUNDS PER SQUARE FOOT

29 Gauge (Fy = 60 KSI)								
SPAN TYPE	LOAD TYPE	SPAN IN FEET						
		3.0	4.0	5.0	6.0	7.0	8.0	9.0
SINGLE	NEGATIVE WIND LOAD	111.6	62.8	40.2	27.9	20.5	15.7	12.4
	LIVE LOAD/DEFLECTION	82.5	58.2	29.8	17.2	10.9	7.3	5.1
2-SPAN	NEGATIVE WIND LOAD	111.6	62.8	40.2	27.9	20.5	15.7	12.4
	LIVE LOAD/DEFLECTION	76.2	56.1	37.3	26.5	19.7	15.2	12.1
3-SPAN	NEGATIVE WIND LOAD	139.5	78.5	50.2	34.9	25.6	19.6	15.5
	LIVE LOAD/DEFLECTION	86.6	64.9	45.3	32.4	20.5	13.7	9.6
4-SPAN	NEGATIVE WIND LOAD	130.3	73.3	46.9	32.6	23.9	18.3	14.5
	LIVE LOAD/DEFLECTION	83.3	62.5	42.7	30.5	21.7	14.6	10.2

26 Gauge (Fy = 60 KSI)								
SPAN TYPE	LOAD TYPE	SPAN IN FEET						
		3.0	4.0	5.0	6.0	7.0	8.0	9.0
SINGLE	NEGATIVE WIND LOAD	181.6	102.1	65.4	45.4	33.4	25.5	20.2
	LIVE LOAD/DEFLECTION	153.7	88.1	45.1	26.1	16.4	11.0	7.7
2-SPAN	NEGATIVE WIND LOAD	181.6	102.1	65.4	45.4	33.4	25.5	20.2
	LIVE LOAD/DEFLECTION	129.7	95.8	62.7	44.1	32.6	25.1	18.6
3-SPAN	NEGATIVE WIND LOAD	227.0	127.7	81.7	56.7	41.7	31.9	25.2
	LIVE LOAD/DEFLECTION	147.4	110.5	77.0	49.3	31.0	20.8	14.6
4-SPAN	NEGATIVE WIND LOAD	211.9	119.2	76.3	53.0	38.9	29.8	23.5
	LIVE LOAD/DEFLECTION	141.8	106.4	72.3	51.0	32.9	22.1	15.5

24 Gauge (Fy = 50 KSI)								
SPAN TYPE	LOAD TYPE	SPAN IN FEET						
		3.0	4.0	5.0	6.0	7.0	8.0	9.0
SINGLE	NEGATIVE WIND LOAD	230.5	129.7	83.0	57.6	42.3	32.4	25.6
	LIVE LOAD/DEFLECTION	205.0	125.4	64.2	37.1	23.4	15.7	11.0
2-SPAN	NEGATIVE WIND LOAD	230.5	129.7	83.0	57.6	42.3	32.4	25.6
	LIVE LOAD/DEFLECTION	163.1	122.3	81.4	56.8	41.9	32.2	25.5
3-SPAN	NEGATIVE WIND LOAD	288.2	162.1	103.7	72.0	52.9	40.5	32.0
	LIVE LOAD/DEFLECTION	185.4	139.0	100.9	70.1	44.1	29.6	20.8
4-SPAN	NEGATIVE WIND LOAD	269.1	151.3	96.9	67.3	49.4	37.8	29.9
	LIVE LOAD/DEFLECTION	178.4	133.8	94.4	66.1	46.9	31.4	22.0

22 Gauge (Fy = 50 KSI)								
SPAN TYPE	LOAD TYPE	SPAN IN FEET						
		3.0	4.0	5.0	6.0	7.0	8.0	9.0
SINGLE	NEGATIVE WIND LOAD	324.2	182.4	116.7	81.1	59.6	45.6	36.0
	LIVE LOAD/DEFLECTION	324.2	171.0	87.5	50.7	31.9	21.4	15.0
2-SPAN	NEGATIVE WIND LOAD	324.2	182.4	116.7	81.1	59.6	45.6	36.0
	LIVE LOAD/DEFLECTION	264.5	176.3	114.2	79.8	58.9	45.2	35.8
3-SPAN	NEGATIVE WIND LOAD	405.3	228.0	145.9	101.3	74.4	57.0	45.0
	LIVE LOAD/DEFLECTION	300.5	217.3	141.4	95.6	60.2	40.3	28.3
4-SPAN	NEGATIVE WIND LOAD	378.4	212.9	136.2	94.6	69.5	53.2	42.0
	LIVE LOAD/DEFLECTION	289.2	203.9	132.5	92.8	63.9	42.8	30.1

**NOTES:**

- 1) Allowable loads are based on uniform span lengths and Fy = 50 and 60-ksi.
- 2) LIVE LOAD is limited by bending, shear, combined shear & bending and web crippling.
- 3) **NEGATIVE WIND LOAD does not contain a 33.333% increase and does not consider fastener pullout or pullover.**
- 4) Above loads consider a maximum deflection ratio of L/180.
- 5) The weight of the panel has not been deducted from the allowable loads.
- 6) The use of any accessories other than those provided by the manufacturer may damage panels, void all warranties and will void all engineering data.
- 7) This material is subject to change without notice. Please contact SD for most current data.

## PANEL FASTENER LOCATIONS (Panel Ends)



**PBC PANEL**  
(See Note 5 Below)



**PBD PANEL**



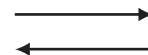
**7.2 PANEL**



**PBA PANEL**



APPLICATION  
PREVAILING WIND



### NOTES:

1. PBR, PBU, PBC, PBD, and PBA have unsymmetrical purlin bearing side lap legs. (Panel Side lap with extended foot to bear on framing) However, where possible, the panel should be lapped against prevailing wind.
2. The above are typical fastener spacings. However, they may not be appropriate for all applications. Consult a professional engineer for use on any specific application.
3. Minimum  $\frac{1}{2}$ " X  $\frac{3}{8}$ " tape sealer required at panel side laps when used as roof panels. (Excludes PBC Panel)
4. Side lap fasteners are required. Typical spacing is 20" O.C. However, this spacing may not be appropriate for all applications. Consult a professional engineer for use on any specific application. (Excludes PBC Panel)
5. If PBC Panel is used as a roof panel, it should be lapped two corrugations. Please remember that when PBC Panel is lapped two corrugations, you are not achieving a 32" panel coverage and may need to order additional panels. When used in a wall application, PBC Panel may be lapped one corrugation. In this application, the panel coverage will be 32". Panel attachment fasteners with a head or washer diameter over  $\frac{1}{2}$ " may cause dimpling of the panels.



## PANEL FASTENER LOCATIONS (Interior of Panel)



**PBC PANEL**  
(See Note 5 Below)



**PBD PANEL**



**7.2 PANEL**



**PBA PANEL**

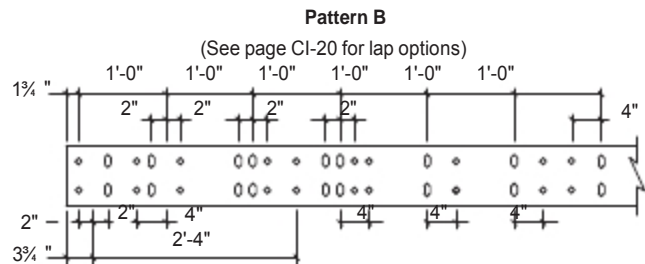
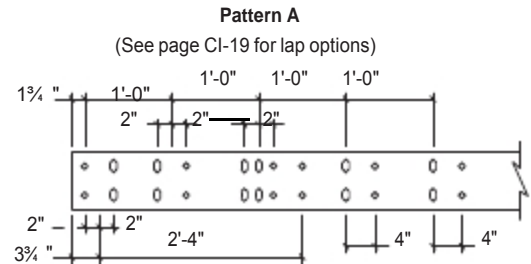
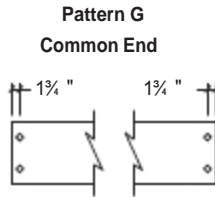
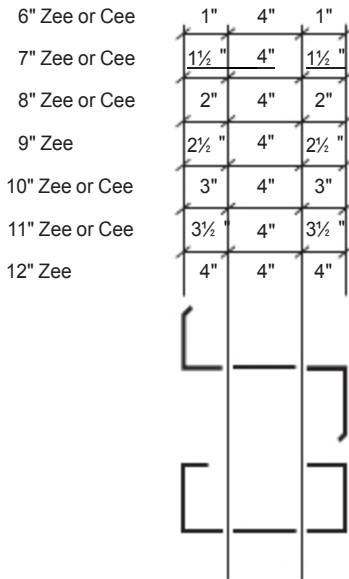


APPLICATION →  
PREVAILING WIND ←

### NOTES:

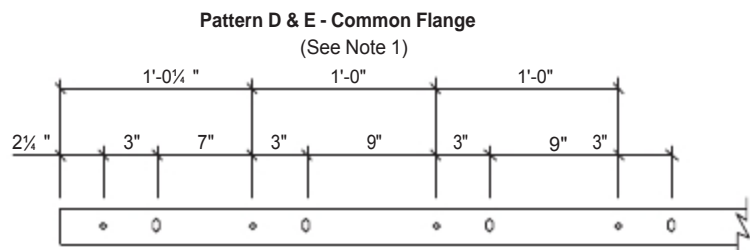
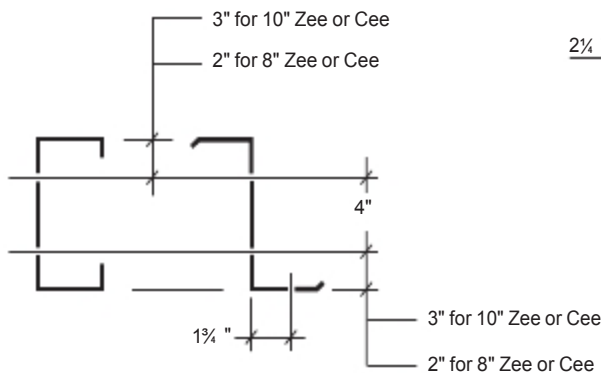
1. PBR, PBU, PBC, PBD, and PBA have unsymmetrical purlin bearing side lap legs. (Panel Side lap with extended foot to bear on framing) However, where possible, the panel should be lapped against prevailing wind.
2. The above are typical fastener spacings. However, they may not be appropriate for all applications. Consult a professional engineer for use on any specific application.
3. Minimum  $\frac{1}{2}$ " X  $\frac{3}{8}$ " tape sealer required at panel side laps when used as roof panels. (Excludes PBC Panel)
4. Side lap fasteners are required. Typical spacing is 20" O.C. However, this spacing may not be appropriate for all applications. Consult a professional engineer for use on any specific application. (Excludes PBC Panel)
5. If PBC Panel is used as a roof panel, it should be lapped two corrugations. Please remember that when PBC Panel is lapped two corrugations, you are not achieving a 32" panel coverage and may need to order additional panels. When used in a wall application, PBC Panel may be lapped one corrugation. In this application, the panel coverage will be 32". Panel attachment fasteners with a head or washer diameter over  $\frac{1}{2}$ " may cause dimpling of the panels.

## PUNCHING PATTERNS FOR CEES AND ZEES



### NOTES:

1. Web punching is available on all 6"-10" Zees and Cees and 12" Zees.
2. Please inquire for 4" Zee or Cee special web punching availability.



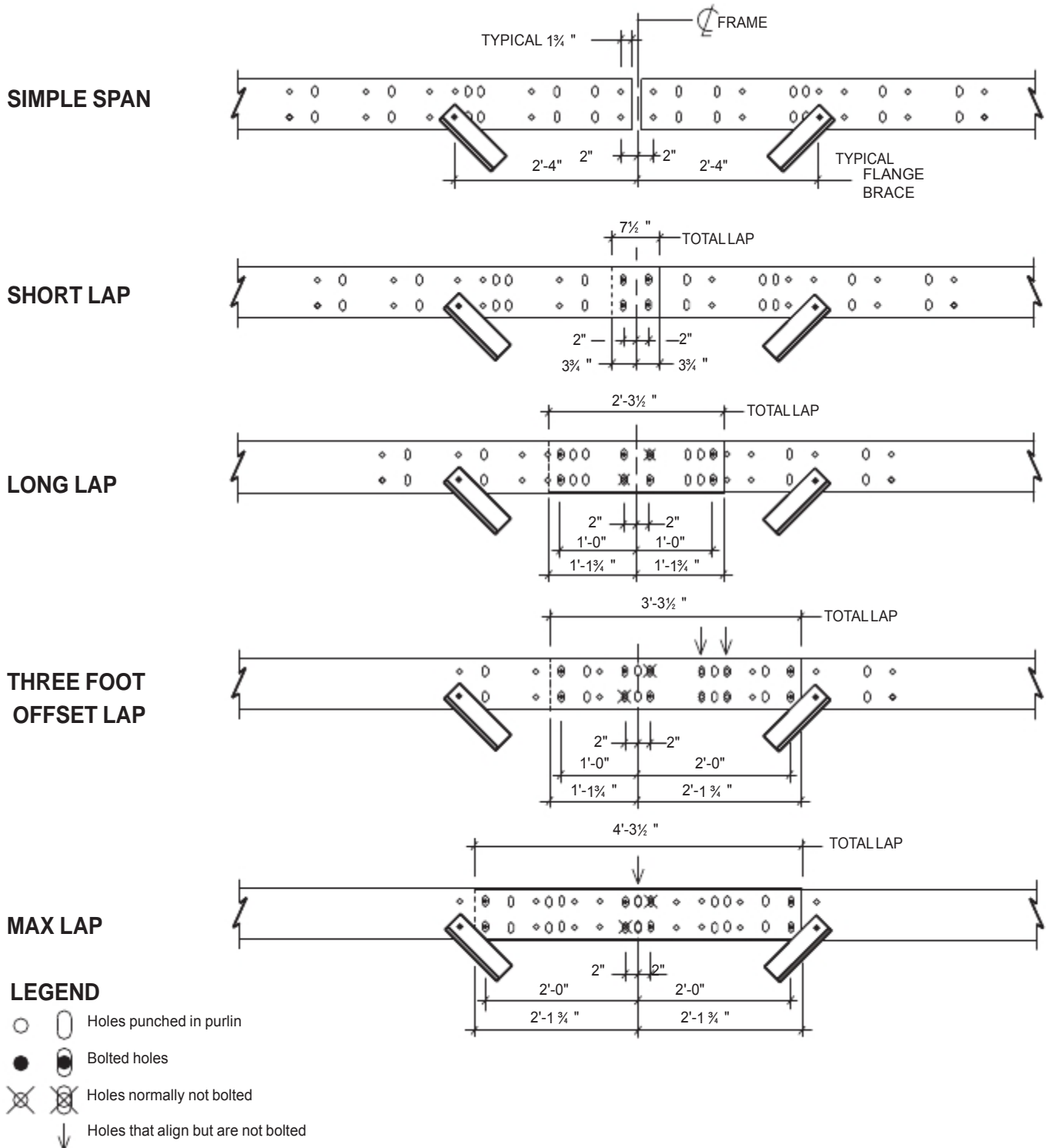
### NOTES:

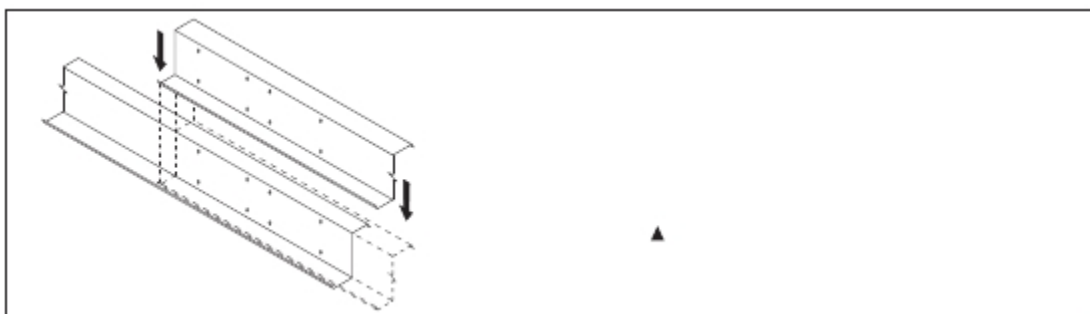
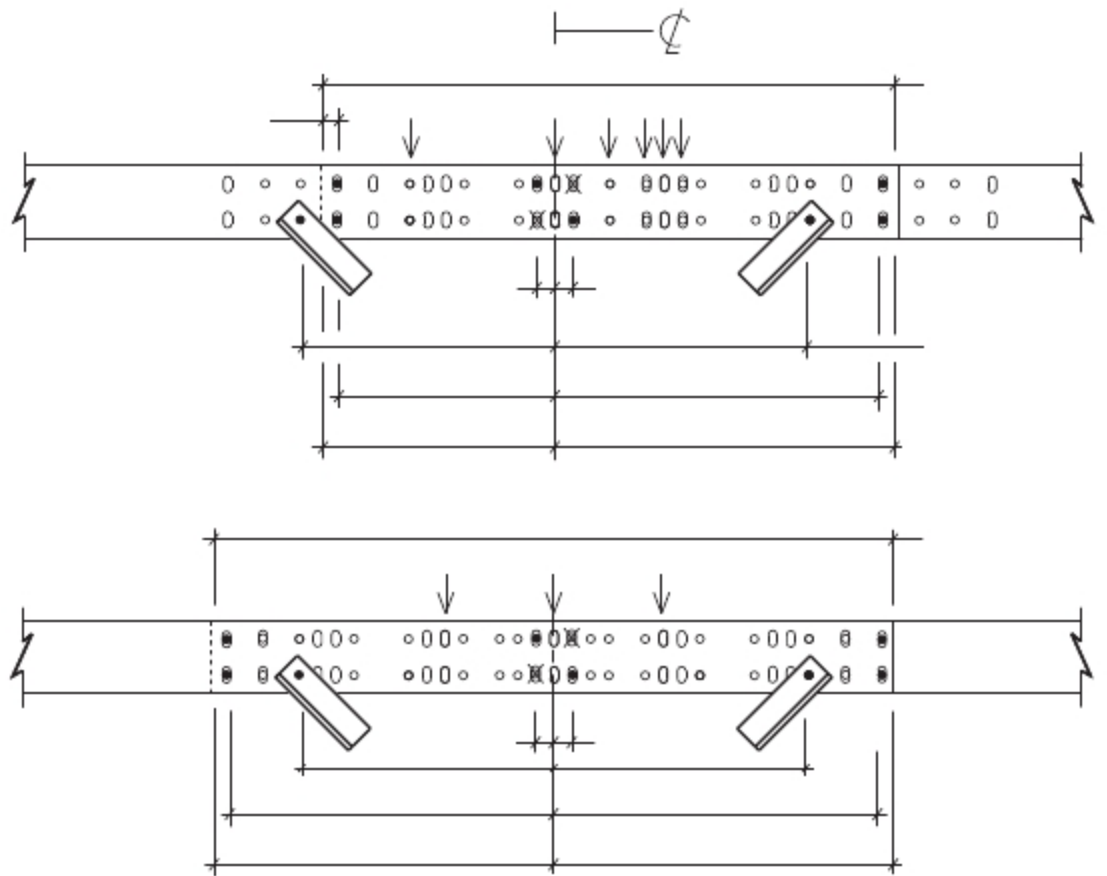
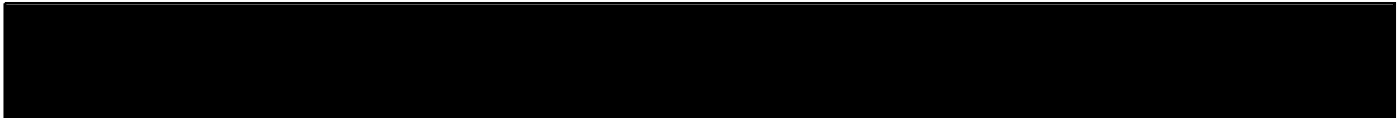
1. Common flange punching Pattern D has Pattern A in the web. Common flange punching Pattern E has Pattern B in the web.
2. Flange punching is not available on 4" or smaller Zees and Cees.
3. All holes are 5/8".
4. All slots are 5/8" x 3/4".

## LAP PATTERNS FOR CEES AND ZEES

### Pattern A

(For Simple Span, Short Lap, Long Lap, 3' Offset and Max Lap)



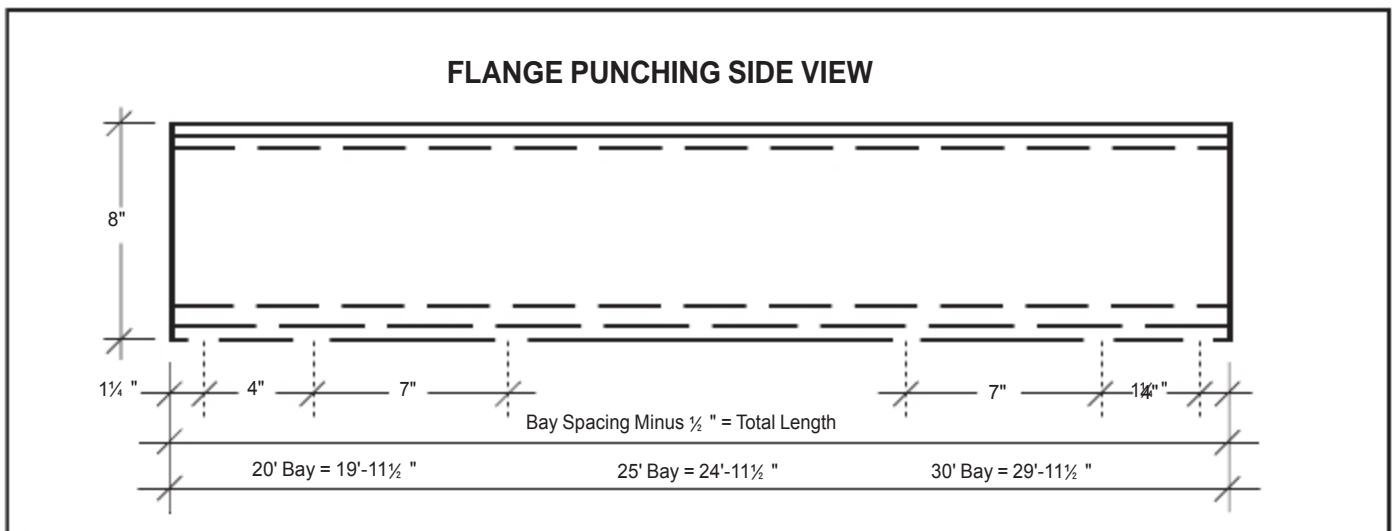
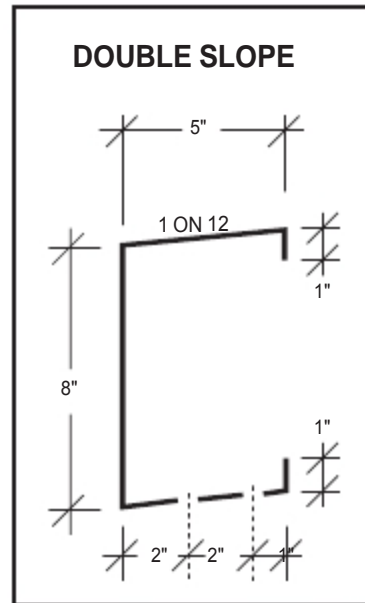
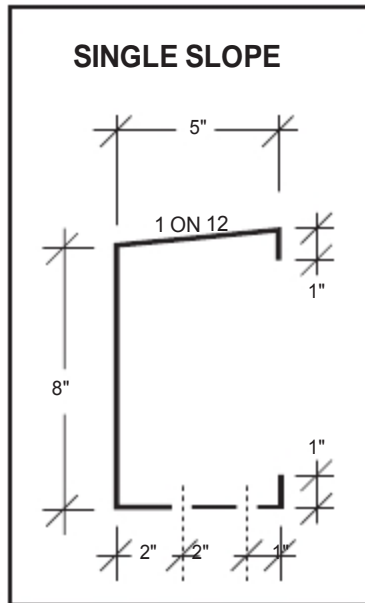


# PRODUCT INFORMATION

# COMMERCIAL/INDUSTRIAL

## STANDARD

## PUNCHING PATTERNS FOR 8" x 5" x 5" EAVE STRUTS



### NOTES:

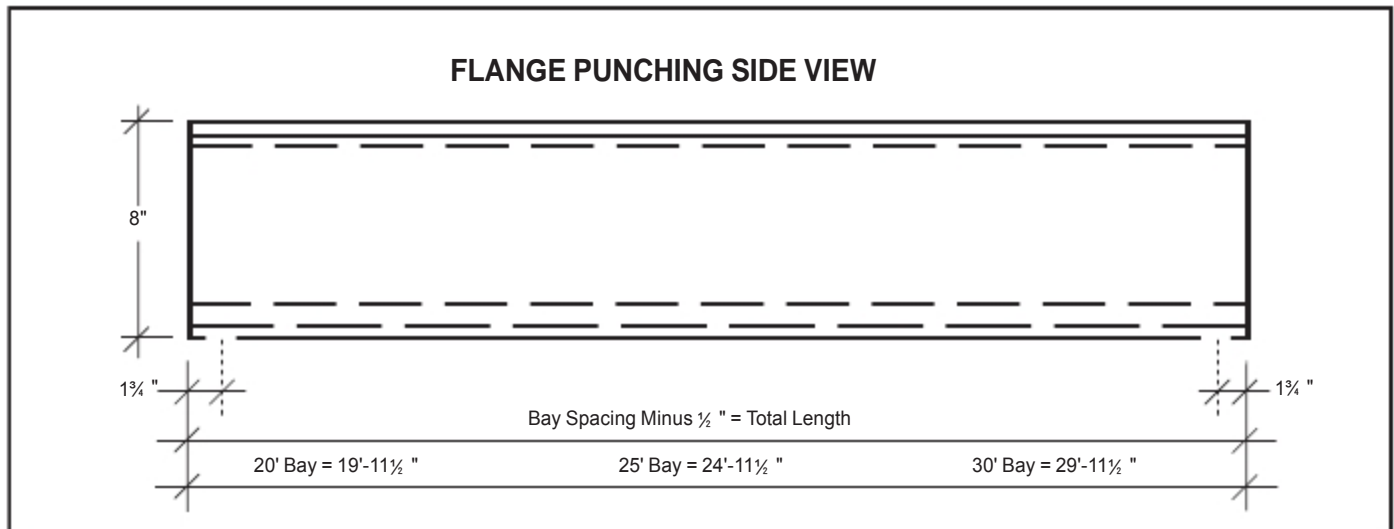
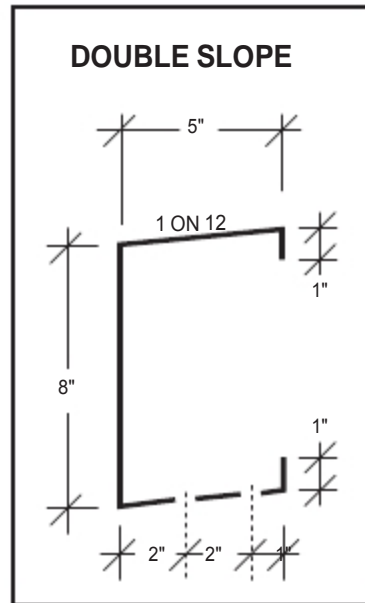
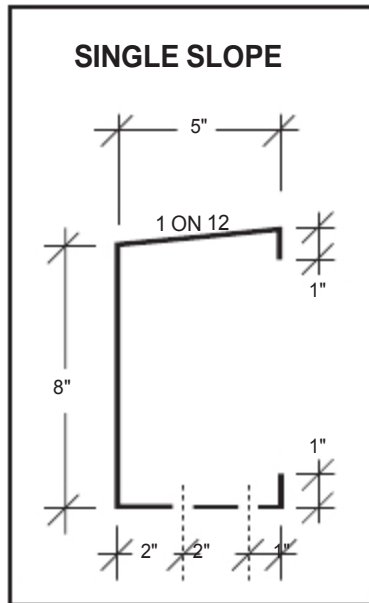
1. All holes are  $1\frac{3}{8}$  ".
2. Eave Strut is 12 or 14 gauge.

# COMMERCIAL/INDUSTRIAL

# PRODUCT INFORMATION

## OPTIONAL

## PUNCHING PATTERNS FOR 8" x 5" x 5" EAVE STRUTS



### NOTES:

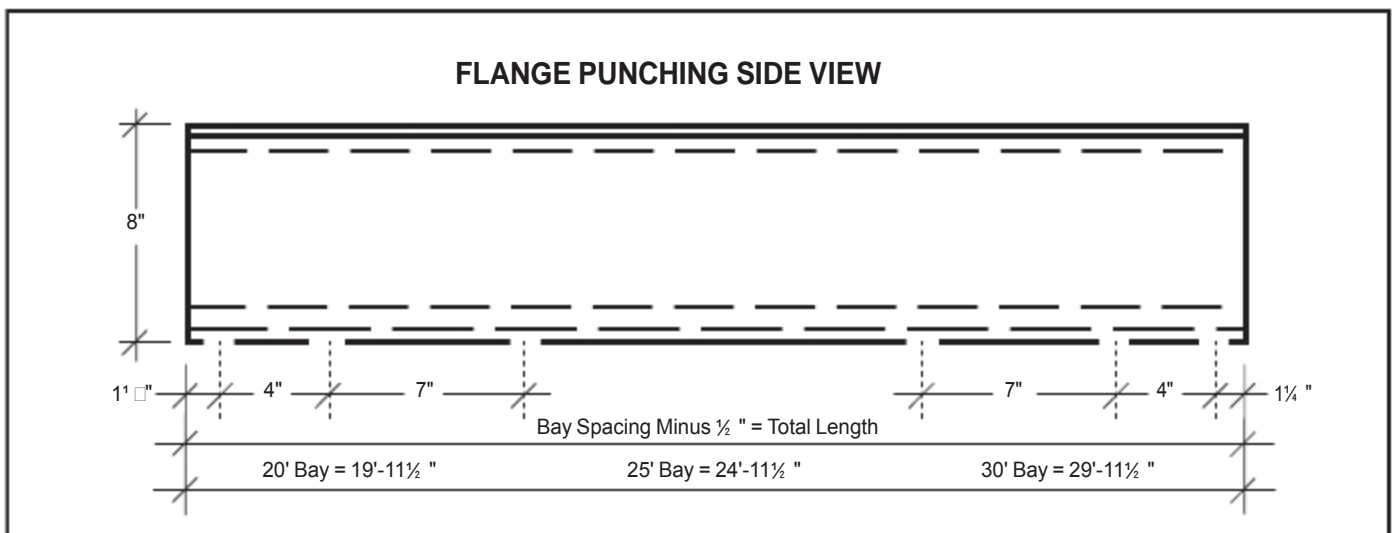
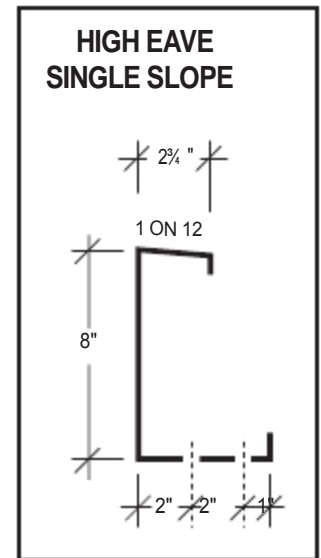
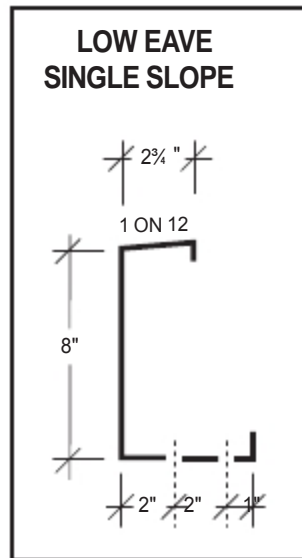
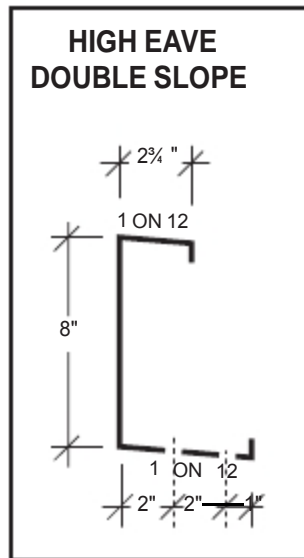
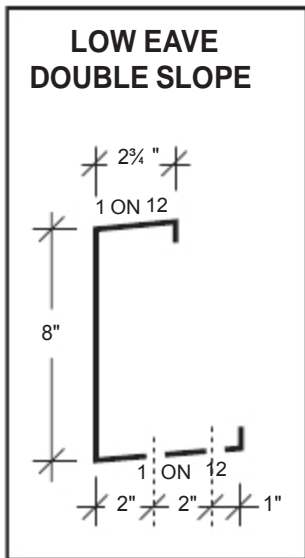
1. All holes are  $5/8$ ".
2. Eave Strut is 12 or 14 gauge.

# PRODUCT INFORMATION

# COMMERCIAL/INDUSTRIAL

## STANDARD

### PUNCHING PATTERNS FOR 8" x 5" x 2 3/4" EAVE STRUTS



#### NOTES:

1. All holes are 1 3/8" .
2. Eave Strut is 12 or 14 gauge.

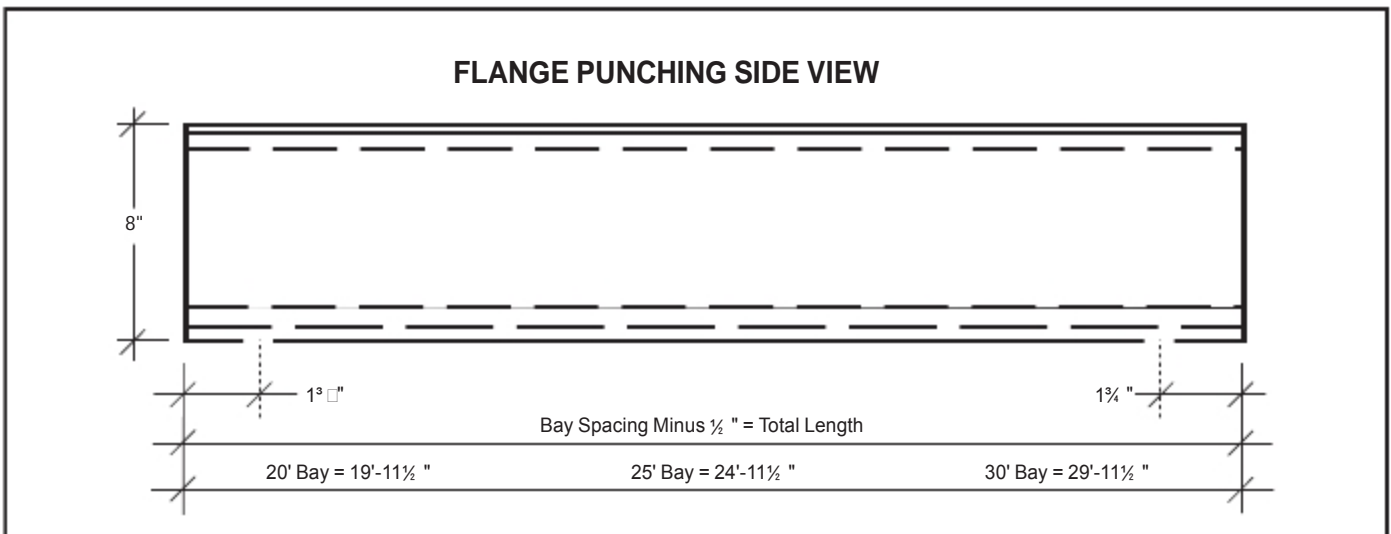
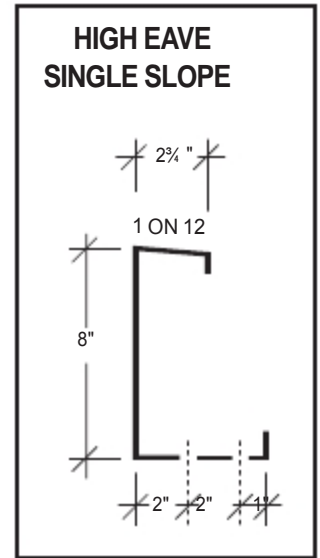
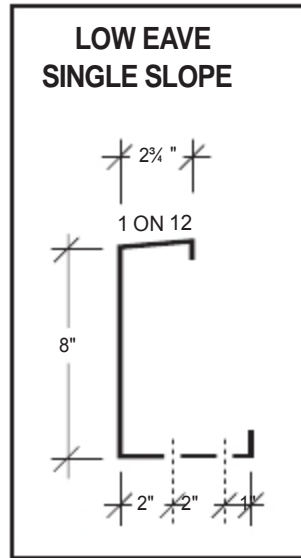
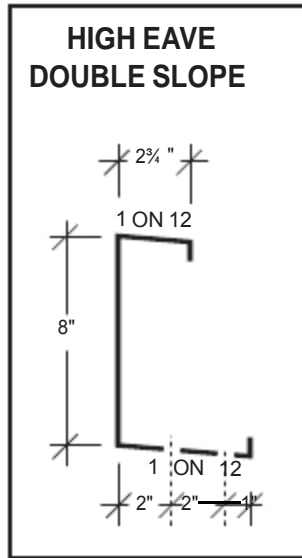
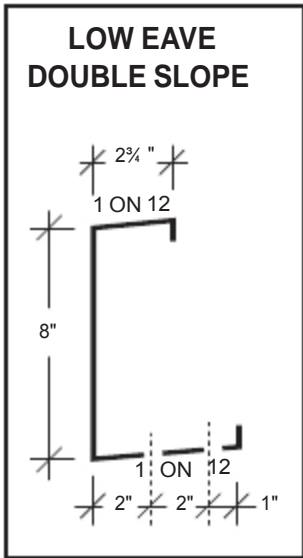


# COMMERCIAL/INDUSTRIAL

# PRODUCT INFORMATION

OPTIONAL

PUNCHING PATTERNS FOR 8" x 5" x 2 3/4" EAVE STRUTS



**NOTES:**

1. All holes are 5/8".
2. Eave Strut is 12 or 14 gauge.



# Steel Depot

We'll help you build it better!

**For current information, visit our Website at [www.Steeldepot.com](http://www.Steeldepot.com).**

Descriptions and specifications contained herein were in effect at the time this publication was approved for printing. In a continuing effort to refine and improve products, SD reserves the right to discontinue products at any time or change specifications and/or designs without incurring obligation. To ensure you have the latest information available, please inquire or visit our website at [www.Steeldepot.com](http://www.Steeldepot.com). Application details are for illustration purposes only and may not be appropriate for all environmental conditions, building designs or panel profiles. Projects should be designed to conform to applicable building codes, regulations and accepted industry practices. If there is a conflict between this manual and project erection drawings, the erection drawings will take precedence.

